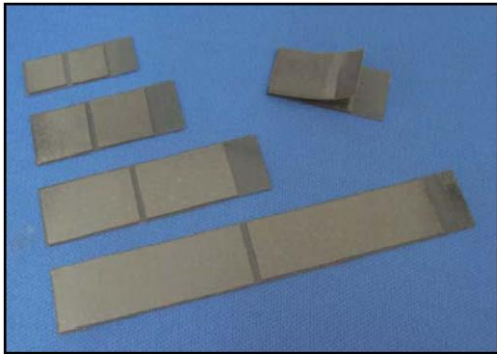


# THIN & FLEXIBLE FERRITE CORE

## FFPC Series

Rev 3 04/13/10



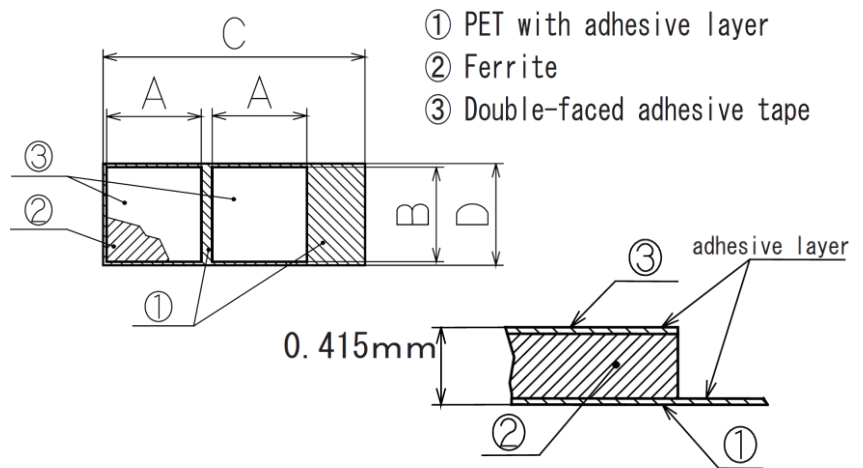
### EMI Cable Noise Absorber Sheet

- Noise filter with sintered body for FPC which has reduced thickness overcoming the rigid and brittle feature of ferrite core
- Higher insertion loss in the low-frequency band compared to EMI absorber sheets and achieves excellent performance in suppressing noise
- Available in a sheet form
- Prevents the effect of internal interference from radiation noise generated from FPC cable use for DSC, DVC, and laptop computers, and the immunity measures as well as terrestrial digital built-in apparatus etc.

### Specifications

Dimensions

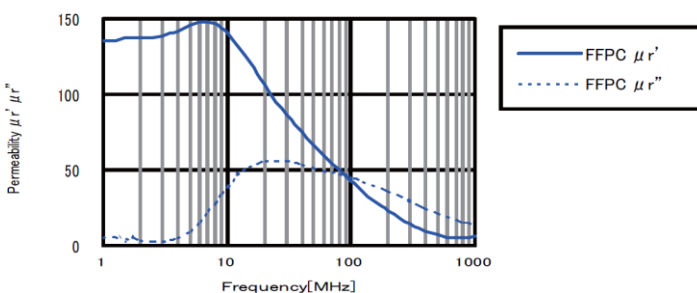
Part Number	A	B	C	D
FFPC-0.3-10-5	10.0	5.0	32.5	6.5
FFPC-0.3-10-10	10.0	10.0	30.0	11.0
FFPC-0.3-12-8	12.0	8.0	38.5	9.5
FFPC-0.3-14-14	14.0	14.0	38.0	15.0
FFPC-0.3-22-8	22.0	8.0	60.5	9.5
FFPC-0.3-22-14	22.0	14.0	54.0	15.0
FFPC-0.3-27-17	27.0	14.0	70.5	15.5
FFPC-0.3-44-14	44.0	14.0	98.0	15.0



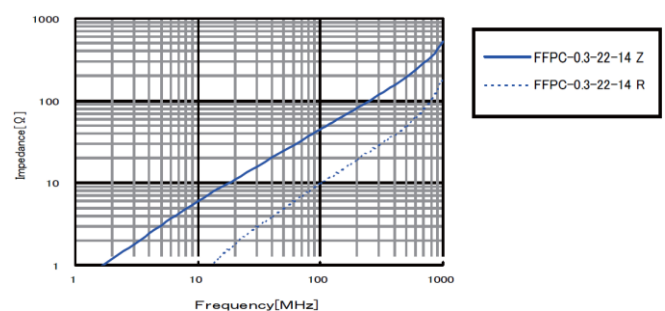
**Operation Temp (°C)** -40 - 85

Structure close-up

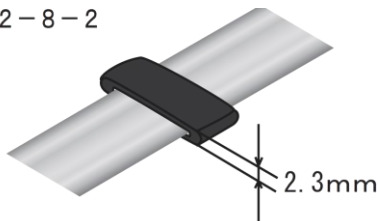
### Permeability vs Frequency



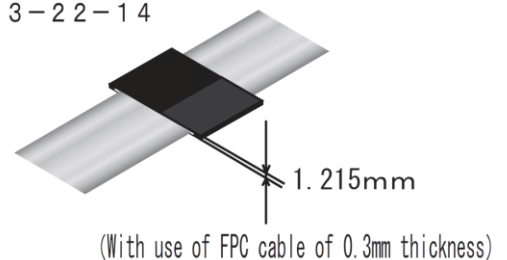
### Impedance vs frequency



FPC-22-8-2



FFPC-0.3-22-14



\*This catalog does not represent any guarantee or assurance of the values of the specifications or the properties but represents typical values.

\*The specifications and the dimensions of the products in this catalog are subject to change without notice due to performance improvement.